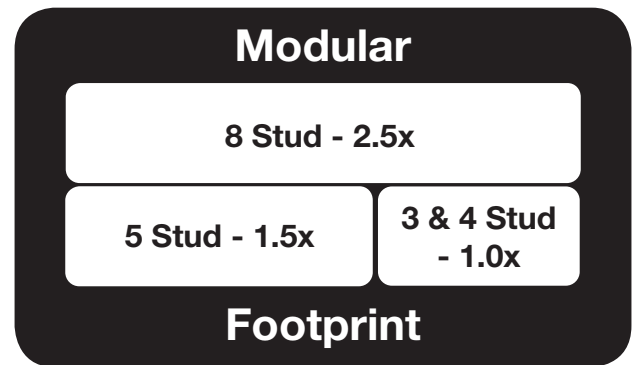


Heavy Duty Busbar Range

777-BB4S-500	4 Stud, 8mm (5/16") Busbar, 500A
777-BB3S-650	3 Stud, 10mm (3/8") Busbar, 650A
777-BB5S-650	5 Stud, 10mm (3/8") Busbar, 650A
777-BB8S-650	8 Stud, 10mm (3/8") Busbar, 650A



Pro Installer Heavy Duty Busbars provide a robust means to connect (bus) together the multitude large cables found in modern electrical installations. This range offers the installer greater flexibility to select busbars to match their load and space requirements.

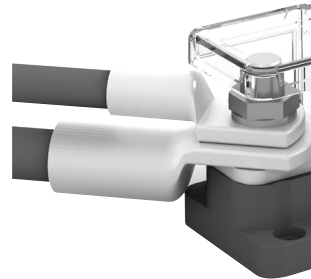
Specifications:

- 4 Stud-500A busbar: 8mm (5/16") stainless steel studs
- 650A busbars: 10mm (3/8") stainless steel studs
- 50 VDC
- High temperature, fibre reinforced plastic base provides strength and chemical resistance
- Clear polycarbonate cover
- Tinned CDA102 Copper conductors, stainless steel studs and nuts, for longevity in the marine environment
- All threads are metric

Features:

- Compact footprints save space
- Generous stud lengths
- Innovative clear covers insulate/protect on three sides, with “snap outs” for extra cable access as required
- Modular sizing and common interconnection height: Easily linked with other Pro Installer Bus Bars and Fuseholders to save installation time and space
- Robust construction and additional mounting screw holes provided for ultimate security
- Designed for the harsh marine environment
- Anti-seize lubricant applied to prevent thread galling

- Label recess on cover allows fitting up to ½” width (12.7mm) printed labels from handheld label printers



- Radiused bar ends allow large cable attachment at any angle between -90° and +90°, to improve installation flexibility

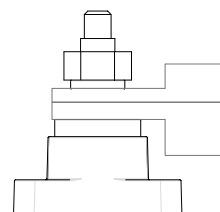
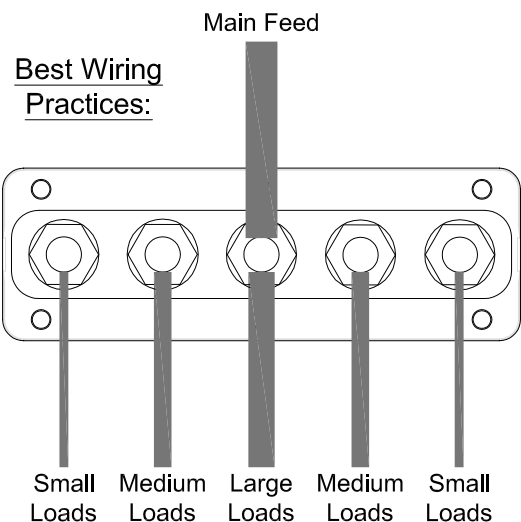
IMPORTANT! Read before installing

- Use only “plastic safe” corrosion inhibiting sprays. Do not wipe solvents/petrochemicals onto the clear polycarbonate covers. These chemicals can affect the plastic, resulting in deteriorated properties such as opacity, and brittleness
- Ensure all cables are sized correctly for the loads they carry. Please refer to the BEP website (www.bepmarine.com) to calculate correct cable sizes
- Ensure electrical connections are correctly tightened! Loose, high power connections are capable of damaging equipment or starting fires. See torque figures on facing page, alternatively use a ring spanner of the correct size and tighten until firm
- Use best practice wiring wherever possible to minimise voltage drop. Feed busbars to the centre of the bar (or centre of loads if several busbars are linked together), and connect highest loads to the same stud, but on top of the main feed



Plastic safe ✓

Petroleum based solvents ✗

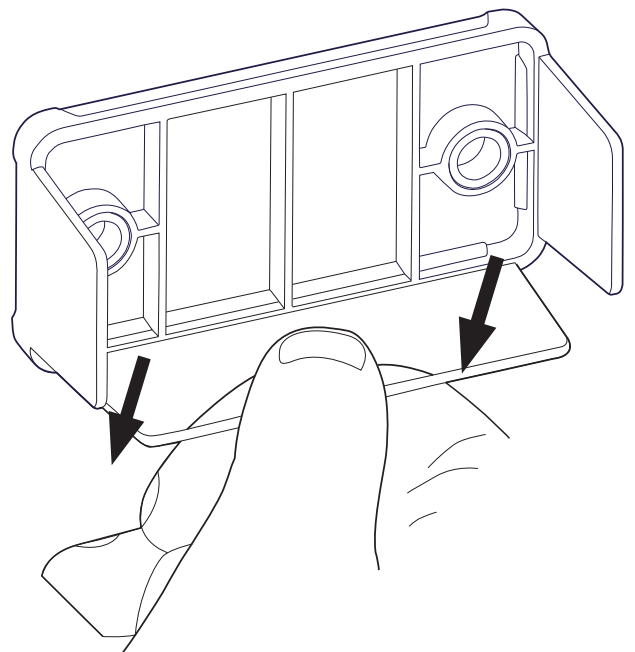
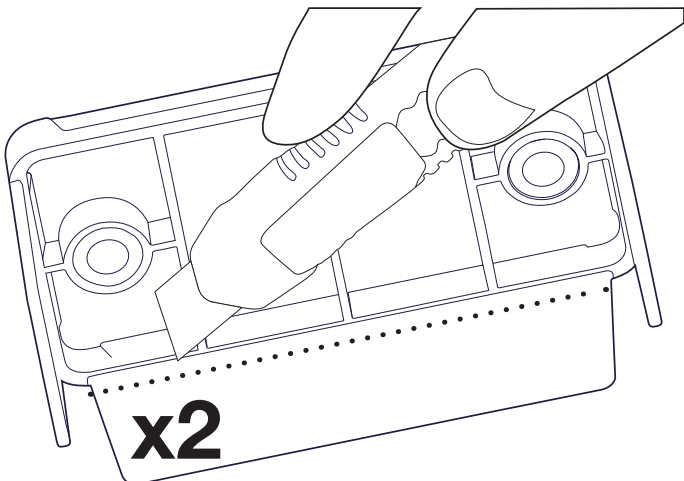
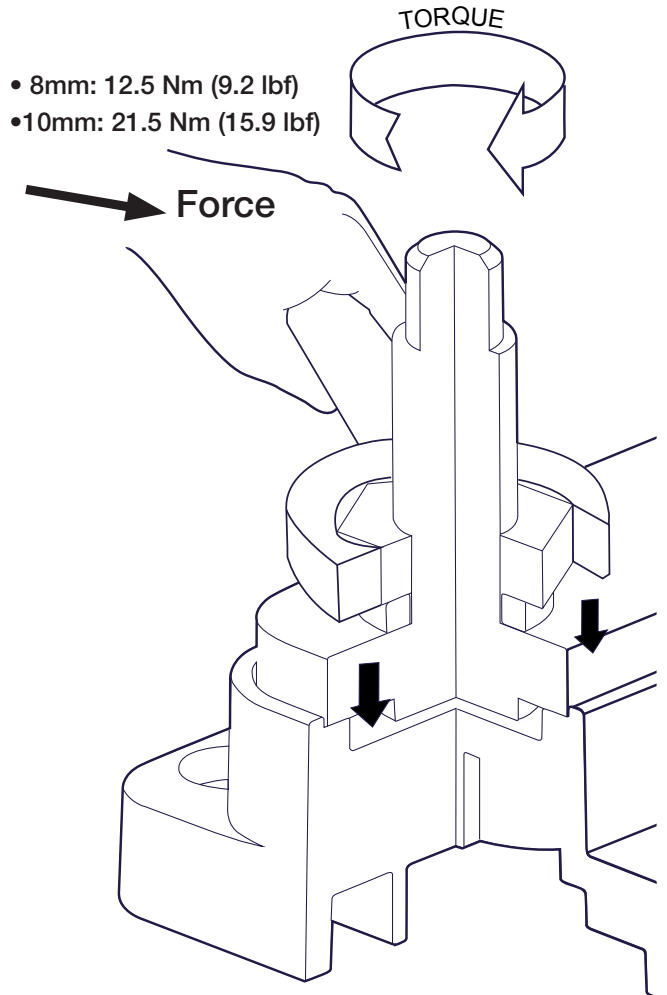
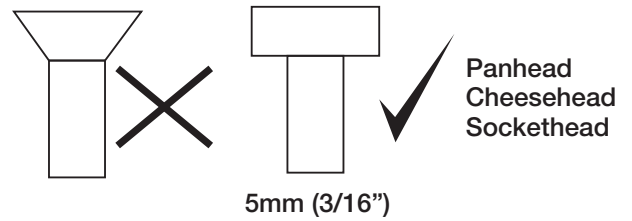


Split Washer & Nut On Top
Other Connections
Links Bars & Main Feeds
On Bottom

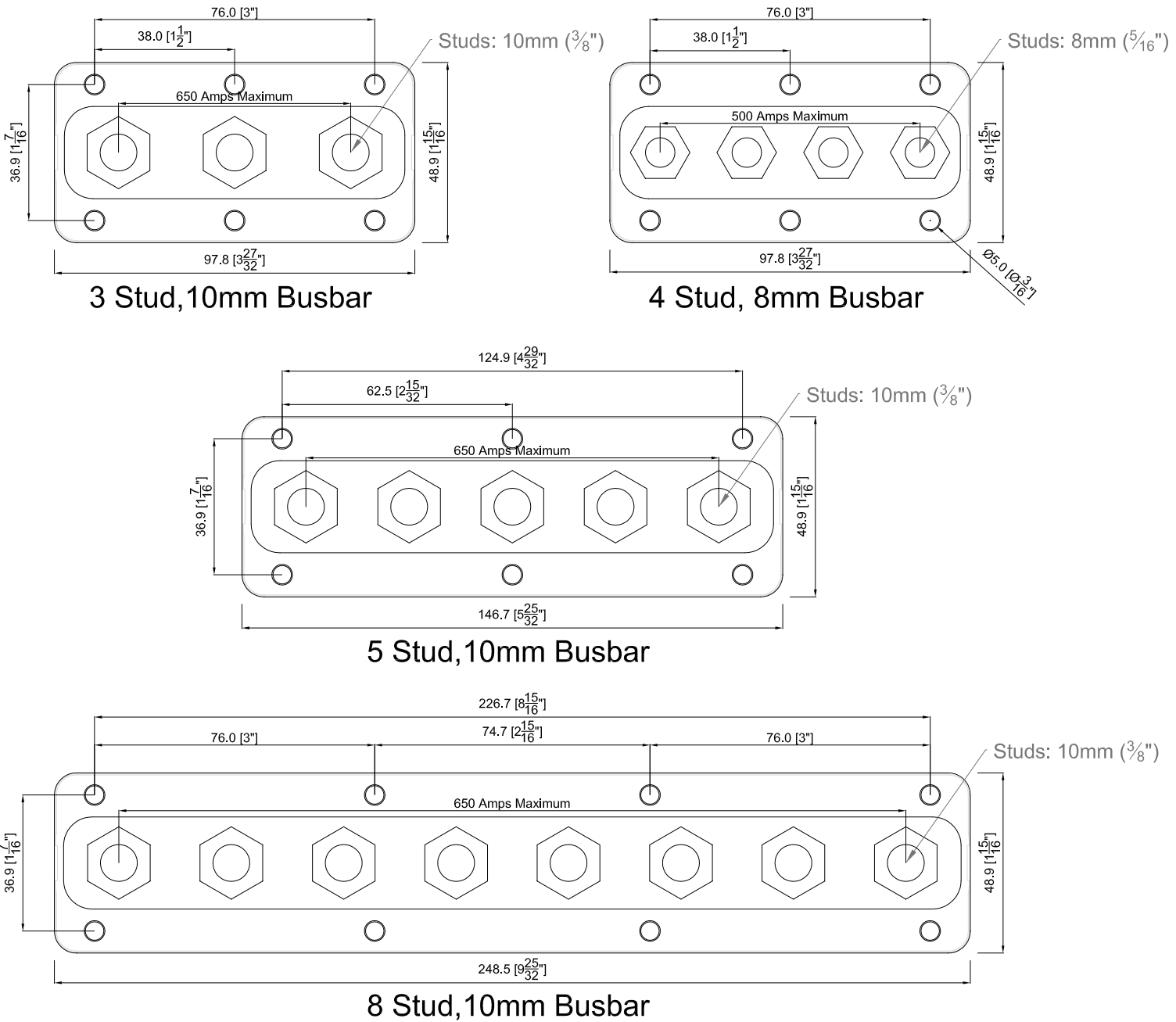
- Ensure that link bars and main feed cable lugs are fitted directly against the copper busbar (on the bottom)

Installation Instructions:

1. Choose mounting location in dry, interior location
2. Select screws for mounting, 5mm (3/16").
Use only pan head or similar screws
3. Screw busbar into chosen location.
Additional screw holes have been provided in case they are needed for extra security
4. Fit cable lugs to busbar, ensure that spring washers are in place beneath cable retaining nuts
5. Recommended torques:
 - 8mm (5/16") studs: 12.5 Nm (9.2 lbf)
 - 10mm (3/8") studs: 21.5 Nm (15.9 lbf)
6. To remove snap-out sections of cover for additional cable access
 - Use a sharp knife to scratch/score twice along the snap-off line
 - BEWARE: PLEASE TAKE CARE WITH CRAFT KNIVES**
 - Then snap-off the section to be removed (bend both ways)
7. Fit cover
8. Ensure that cables are securely fastened and strain relieved as per ABYC/ISO or other applicable standards.



Dimensions:



Product	Dimensions (mm)	Dimensions (Inches)	Weight (Grams)	Weight (oz)
4 Stud, Busbar, 500A	98 x 49 x 61 mm	3.9" x 1.9" x 2.4"	272g	9.6 oz
3 Stud, Busbar, 650A	98 x 49 x 61 mm	3.9" x 1.9" x 2.4"	294g	10.4 oz
5 Stud, Bus bar, 650A	147 x 49 x 64 mm	5.8" x 1.9" x 2.5"	506g	17.9 oz
8 Stud, Busbar, 650A	249 x 49 x 64 mm	9.8" x 1.9" x 2.5"	841g	29.7 oz